

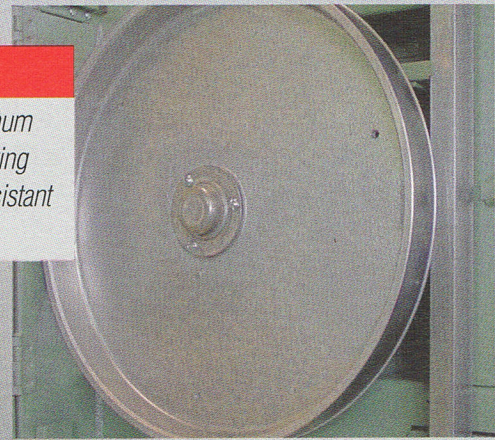
**The Best Built Band Saws**



# Anatomy of the Best Built Band Saw

## Pulleys

Balanced, cast aluminum alloy feature ball-bearing mounting, with oil resistant rubber facing



## Frame Welding

Precise weldments deliver increased rigidity throughout the frame



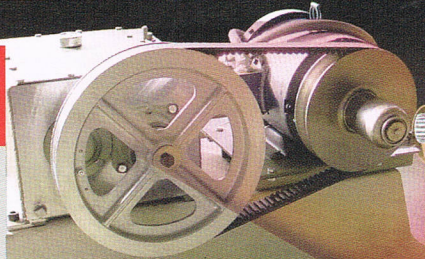
## Cast Iron Table

Machined for rip fences and miter gauge, mounted on rigid wide cast trunnion. Tilts 45° down right and 5° down left



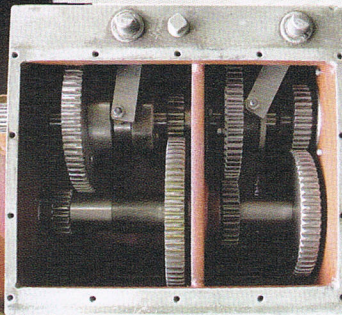
## Transmission Assembly

We manufacture our own heat treated rolled gears and splines. Standard Vari-Drive and powerful 3 HP motor on all 4V models deliver accurate, reliable performance.



## Gear Box

All GROB saws feature a 4 or 6 speed gearbox with a concrete base. The result is minimal vibration and superior rigidity for optimum sawing accuracy.

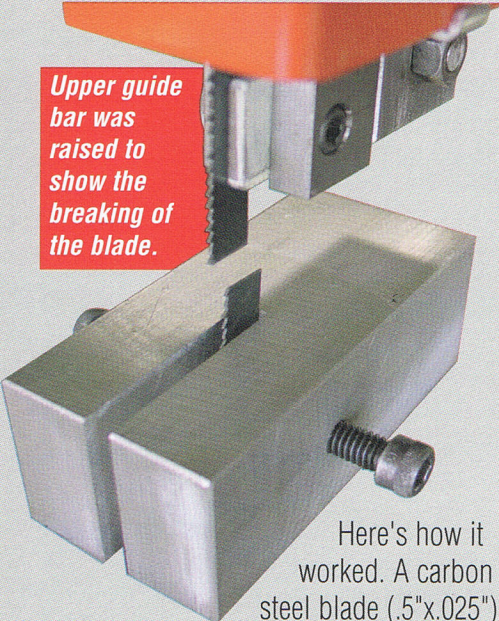




# The GROB Saw Blade Challenge

More power to the blade, where it makes a difference, is what makes a GROB saw stand apart from any other on the market. The results are increased feed rates, more accurate, repeatable cutting and the most reliable performance of any bandsaw currently available.

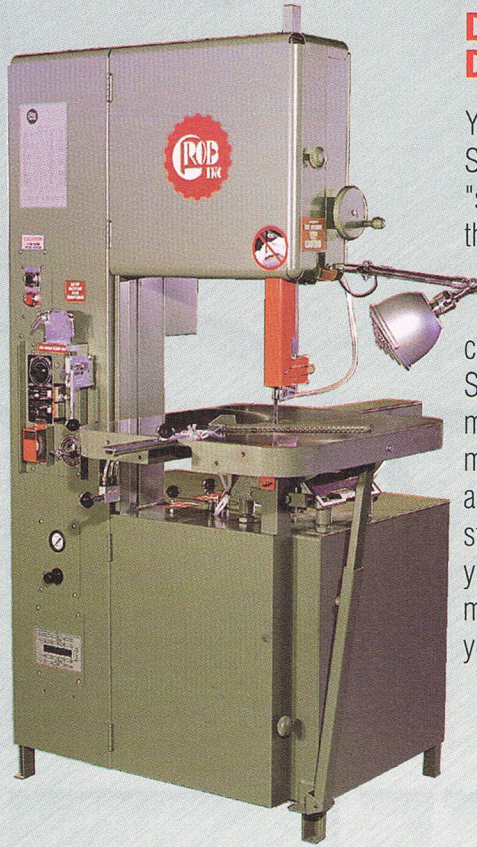
Upper guide bar was raised to show the breaking of the blade.



Here's how it worked. A carbon steel blade (.5"x.025") was installed on the Grob 4V-18 Band Saw. This installed blade was restrained in a torque test fixture. Then, the guide bar secured the test fixture against the saw table. The Band Saw was energized... and the blade failed.

**Can Your Bandsaw Pass This Test?**

# 4V SERIES Band Saws



**Designed for Day In, Day Out Performance**

You only need to compare the Grob 4V Series with any of the competitors' "standard" saws to immediately see the exceptional value. Combining sturdy design and construction with the perfect balance of speed, power, control, and flexibility, the Grob 4V Series tops all competitors saws as the most versatile toolroom saw on the market. Whether you are cutting tough alloys or lighter metals such as mild steel, brass, sheet metal, or aluminum you can be confident that these machines will continue to perform to your highest standards.

# 6V SERIES Band Saws



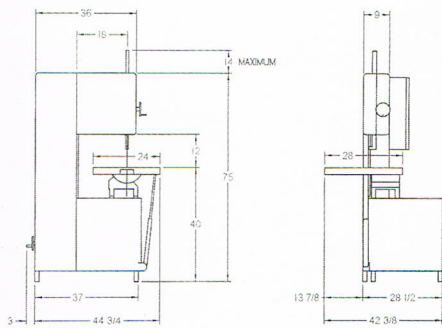
**Designed for Heavy Duty Applications**

The GROB 6V Series Saws are just getting started where most competitors' "heavy duty" saws quit. With a powerful 15 HP motor and six speed gearbox designed for the most rigorous cutting applications, they can be found operating in demanding industries such as foundries, automotive and aerospace. The 6V Series is comprised of three models: heavy duty band saw; plate saw; and hot cutting band saw.

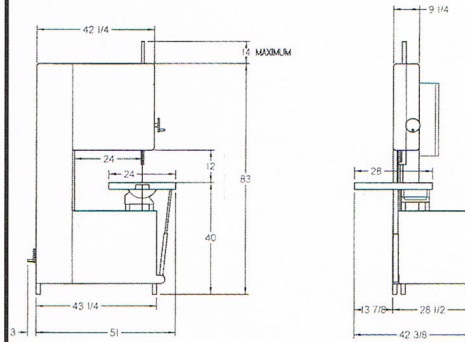
The GROB 6V Series is a real workhorse, delivering unparalleled power, reliability and accuracy that has made GROB saws the industry standard.

## GROB 4V-18, -24, -36

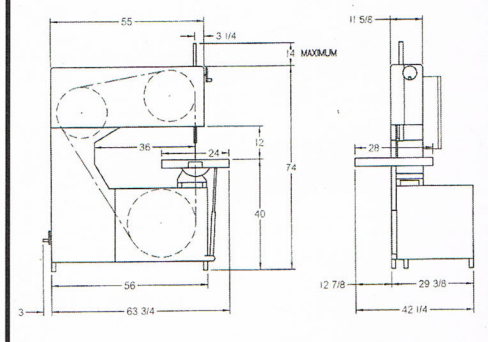
4V-18 Band Saw



4V-24 Band Saw



4V-36 Band Saw



### Standard Equipment:

- 3 hp. 230/460 Volt Motor
- Infinitely Variable Speed 40-5000 F.P.M.
- Speed Indicator
- Balanced Cast Aluminum Saw Pulleys, Ball Bearing Mounted, Oil Resistant Rubber Facing
- Heavy Cast Iron Table
  - Tilt 45° down right, Tilt 5° down left
- (6) 12" Ig. Table Extensions (4V-36 only)
- 3/8" - 1/2" Single Pc. Saw Guides

### Optional Equipment:

- Air Hydraulic Feed
- Air Chip Blower
- Miter Gauge
- Flood & Mist Coolant
- Circular Cutting Attachment
- 20" Work Height Available (4V-18 & 24 only)
- Butt Welder
- Rip Fence
- Work Light
- Magnifying Glass

## GROB 6V -36

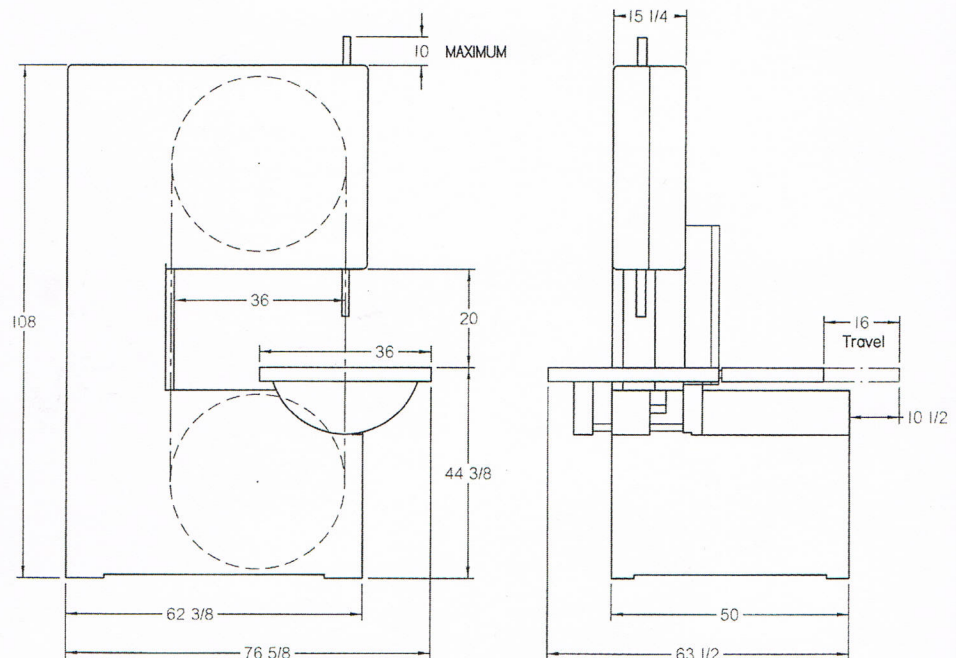
### Standard Equipment:

- 15 H.P. Brakemotor
- Six speed Gear box
- Infinitely Variable Drive 25-15,000 F.P.M.
- Air Hydraulic Feed
- Wheel Brakes
- Heavy Cast Iron Table
- Speed Indicator
- Work Light
- Saw Guides for Hot and Cold Sawing
- 36-5/8 Diameter Vulcanized Pulleys

### Optional Equipment:

- Butt Welder
- Rip Fence
- Magnifying Glass
- Flood & Mist Coolant
- Air Chip Blower
- Miter Gauge
- Circular Cutting Attachment
- Special workheight - 30" (others available)

6V-36 Band Saw



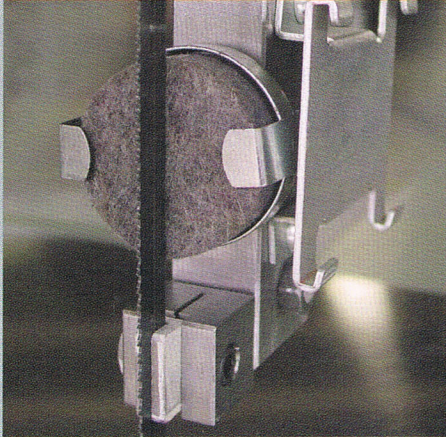


# Self-Seating Guides & Holders

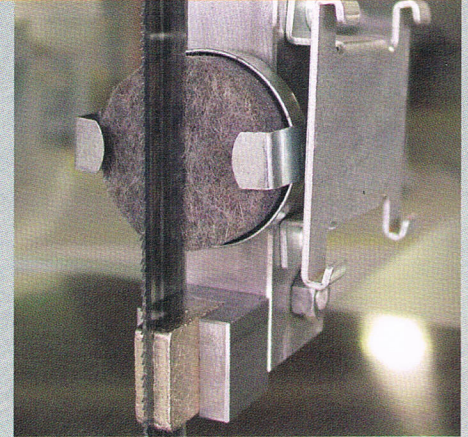
## Outstanding Features of Self-Seating Guides

- Permits heavier pressure to the saw blade, thereby providing faster cutting.
- Does away with destroying and flaring the saw blade from the rear making circular cutting easier.
- Longer life of saw blade. The blade will not have to be discarded before saw teeth are worn.
- Close support immediately above and below the work.
- Better vision, as the simplicity of the guides allows compact design requiring little space.
- Quick and easy change for various width saw blades.

### SINGLE PIECE GUIDES & HOLDERS



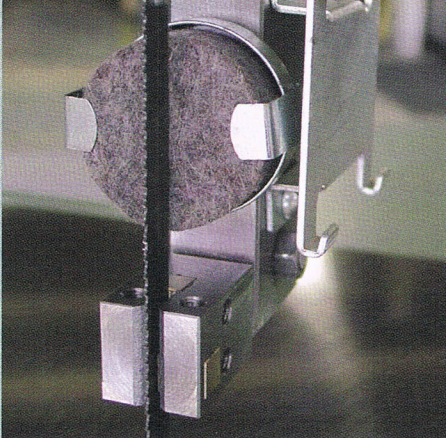
For 1/8" - 1/2" blades



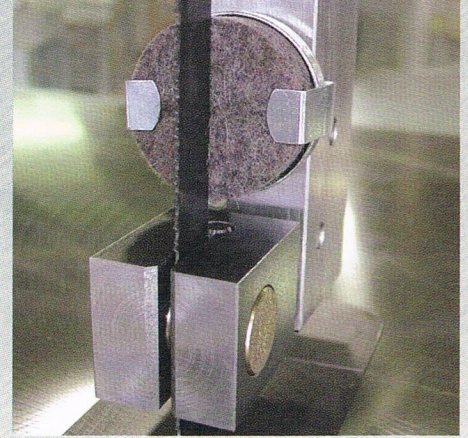
For 5/8" - 1" blades

Single & 3 piece guides are available in hard aluminum bronze & tungsten carbide

### 3 PIECE GUIDES & HOLDERS



For 1/8" - 1/2" Blades



For 5/8" - 1" Blades

3 piece guides allow for various blade thicknesses

### ROLLER GUIDE ASSEMBLY For 6V-36 Band Saws Only



5/8" - 1" upper and lower

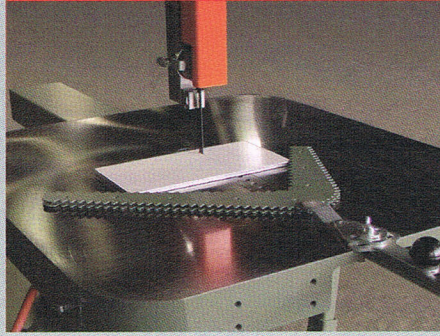
- Recommended for use in high speed production sawing where extreme accuracy is not required
- Side Rollers Available for 1/4", 3/8", 1/2" blades

## MITER GAUGE



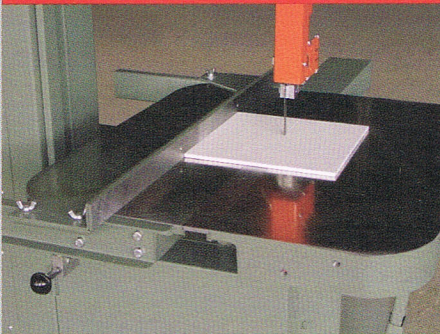
Cut precision miters with this attachment. Indexable from 0° to 45°.

## AIR HYDRAULIC FEED



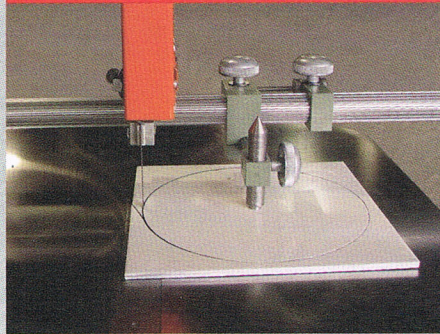
Enables operator to manually direct workpieces as they are fed into the saw blade.

## RIP FENCE



Machined and ground rip fence attachment easily adjusts for fast, accurate workpiece ripping.

## CIRCULAR CUTTING



Easily attaches to provide accurate, precise circular cutting.

# Optional Equipment

Grob band saws are supplied with an extensive list of standard features and equipment to support a wide variety of sawing applications. These capabilities can be enhanced with the addition of optional equipment that reflects the same quality and durability as the saws themselves.

## BUTT WELDER for Carbon Steel & Bi-Metal Blades

**RWA Butt Welder** - Machine Model  
1/8" - 1" saw blade  
220/440V Single Phase with filing  
fixture, T-10 saw blade cut-off tool.  
(NOTE: Bench Model Voltage - 220V only)

### Optional Equipment

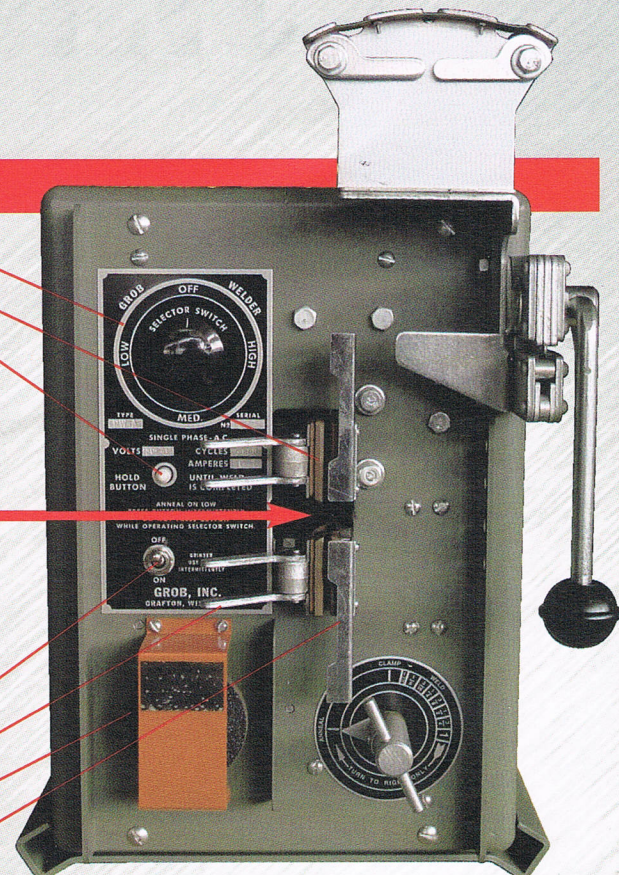
- Grinder for Butt Welder
- Stand for Welders
- Stand Casters
- Extra T-10 Cut-off Tool
- Extra Filing Feature

- Heat Switch
- Welding Jaws Inserts (4)
- Weld Button

### SAW BLADE CLAMPS

The saw clamps grip only the flat portion of the blade. The teeth are not clamped. This prevents distortion of teeth and assures full electrical contact which is imperative for a good uniform weld.

- Motor Grinder Switch
- Clamp Levers (4)
- Grinder (optional)
- Alignment Gauges (2)





# 4V SERIES BAND SAWS

**NEW!**



- Variable Speed Control Dial Makes Speed Adjustment Easier and Convenient for Operator
- Frequency Drive with Electronic Speed Control for Infinitely Variable Speed
- Less Maintenance by Eliminating Mechanical Drive Assembly
- Dynamic Braking Stops Saw Blade in a Matter of Seconds

**STANDARD FEATURES**

- Speed Range 40 - 5000 F. P. M.
- 4 Speed Transmission with Heat Treated Grob Rolled Gears and Splines
- 3 HP 230/460 Volt Motor



## GrobBandSaw.com

Combining sturdy design and construction with perfect balance of speed, power, control, and flexibility, the Grob 4V Series tops all competition band saws.

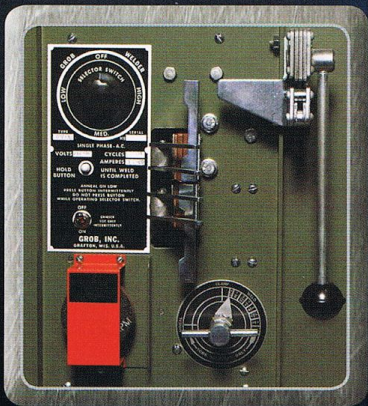
MANUFACTURED BY GROB INC. GRAFTON, WISCONSIN

### 888-550-3116

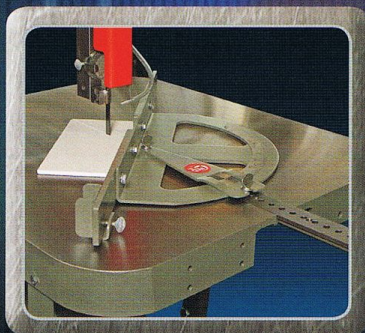




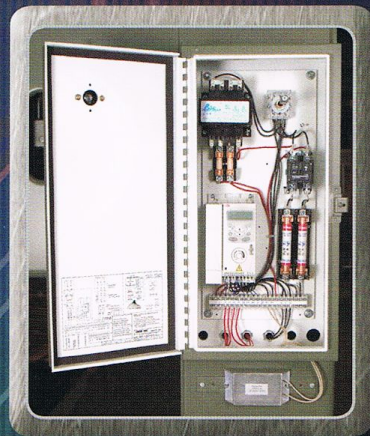
**OPTIONAL EQUIPMENT**



RWA Butt Welder



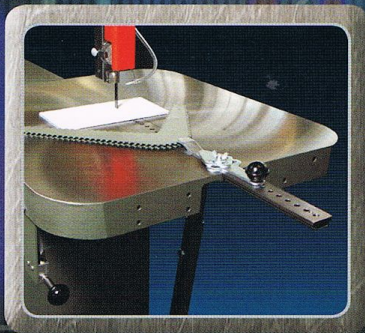
Miter Gauge



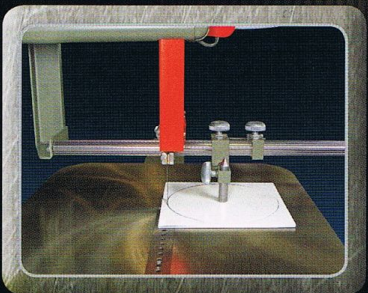
Electronic Panel with Frequency Drive



Rip Fence



Air Hydraulic Feed



Circular Cutting Attachment

**PLUS:**

- Air Blower
- Flood Coolant
- Mist Coolant
- Magnifying Glass
- Extra Work Height
- Work Light
- Saw Guides and Holders

**GrobBandSaw.com**  
**888-550-3116**

**4U-18**

**4U-24**

**4U-36**

