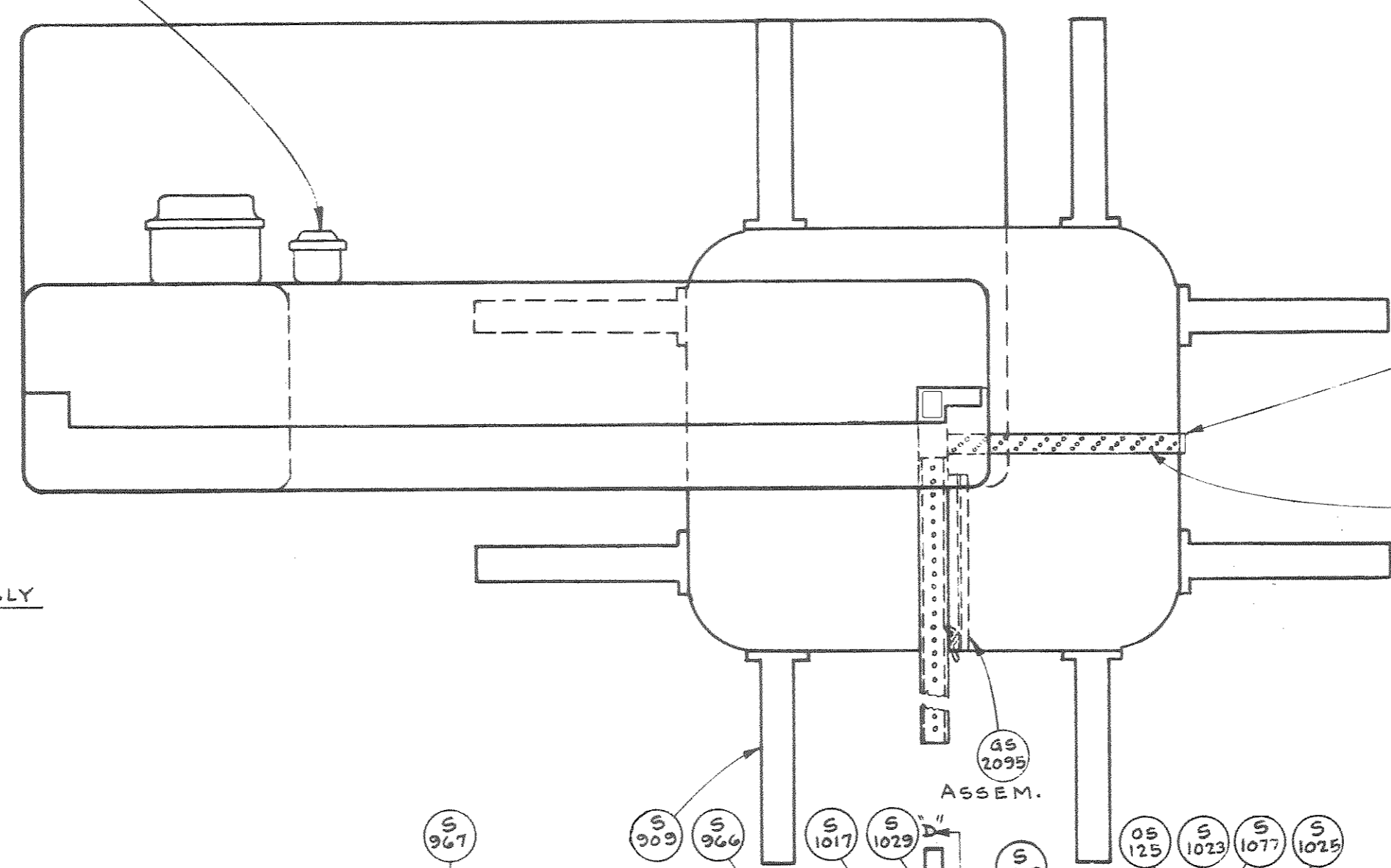
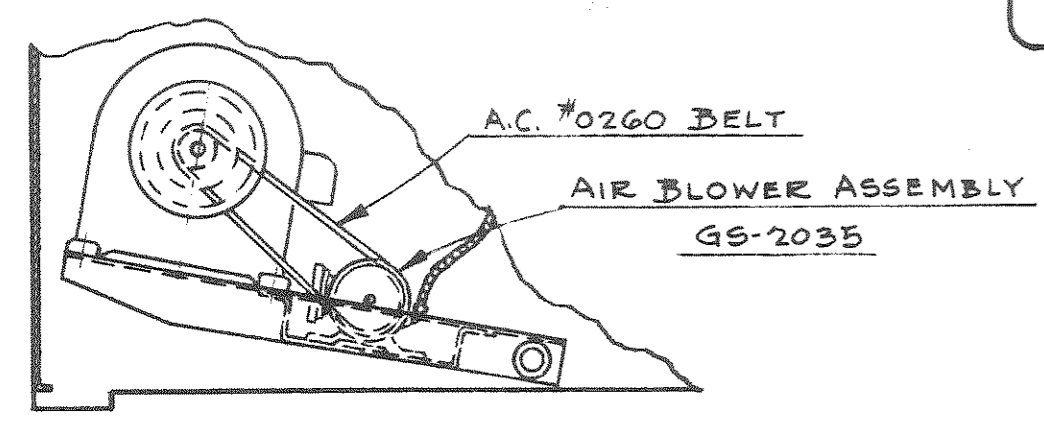


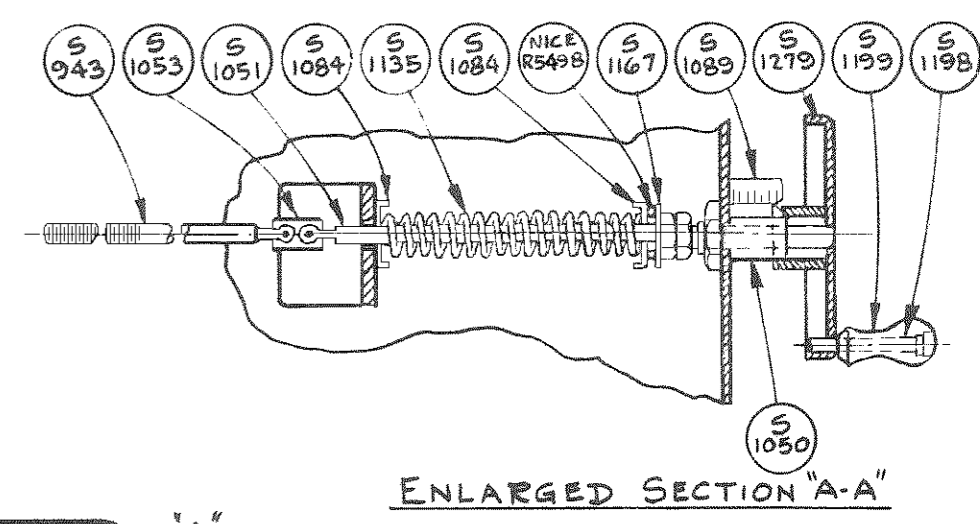
WESTINGHOUSE SWITCH #MF-211-110 V.

- *1/6" S 1145
- *3/32" S 1146
- 1/8" S 1147
- 3/16" S 1148
- 1/4" S 1149
- *5/16" S 1150
- S 1151
- S 1123
- S 1123
- S 1122
- 3/8" S 1151
- 1/2" S 1123
- *5/8" S 1123
- *3/4" S 1122
- 1" S 1122

SAW GUIDE
 FULL SIZE
 .025" THICK SAW BLADE
 AMPCO OR CARBIDE
 * FURNISHED IN AMPCO ONLY



- S 1312
- S 1160 1/4" PIN
- S 1159 5/16" PIN
- S 1158 3/8" PIN
- S 1157 1/2" PIN



WESTINGHOUSE SWITCH #DF-321--220 V.
 SQUARE "D" SWITCH #45321--440 V.

BUTT WELDER ASSEMBLY

