

GROB INC.

GRAFTON, WIS.

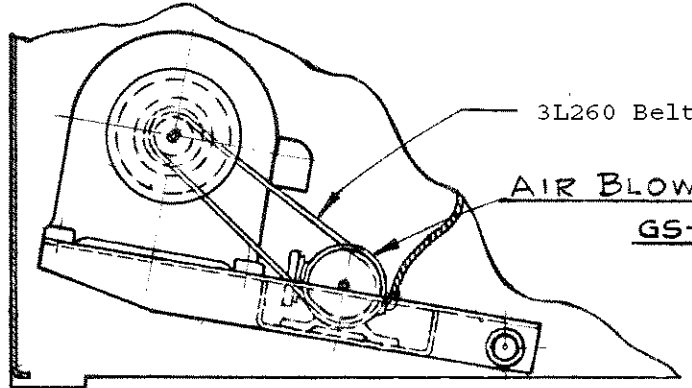
PARTS LIST DRAWING

FOR NS-18--10 SPEED BAND SAW

A.J.R.

GS-2080

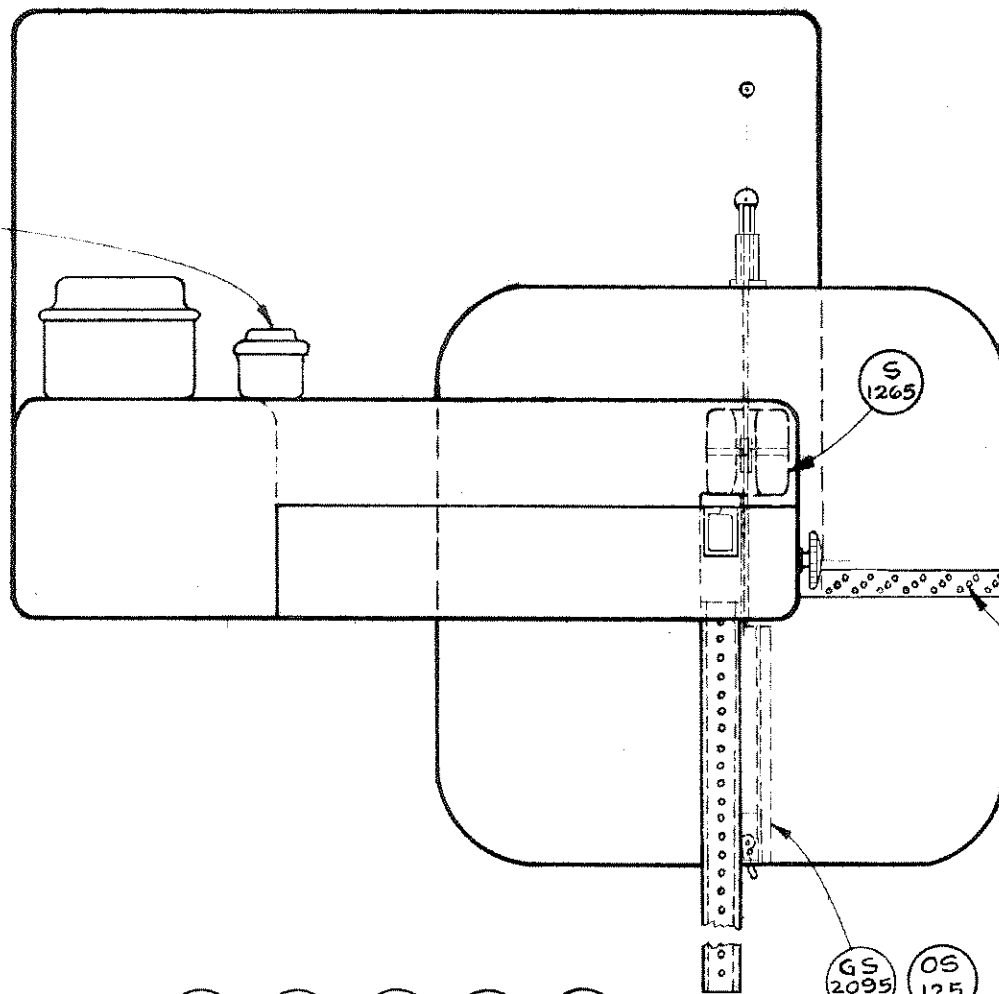
11-9-45 1/8 SIZE



AIR BLOWER ASSEMBLY
GS-2035

WESTINGHOUSE SWITCH

#MF-211-1--110V.

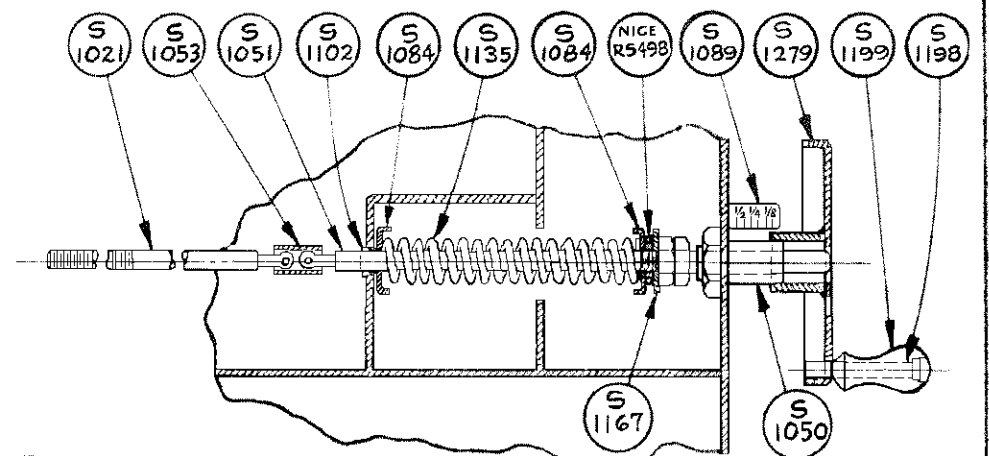


- S 1134
- S 1160 1/4" PIN
- S 1159 5/16" PIN
- S 1158 3/8" PIN
- S 1157 1/2" PIN

- * 1/16" S 1145
- * 3/32" S 1146
- * 1/8" S 1147
- * 3/16" S 1148
- * 1/4" S 1149
- * 5/16" S 1150
- S 1151
- S 1123
- S 1123
- S 1122
- 3/8"-1/2" * 5/8" * 3/4" * 1"
- (.032) (.032) (.032)

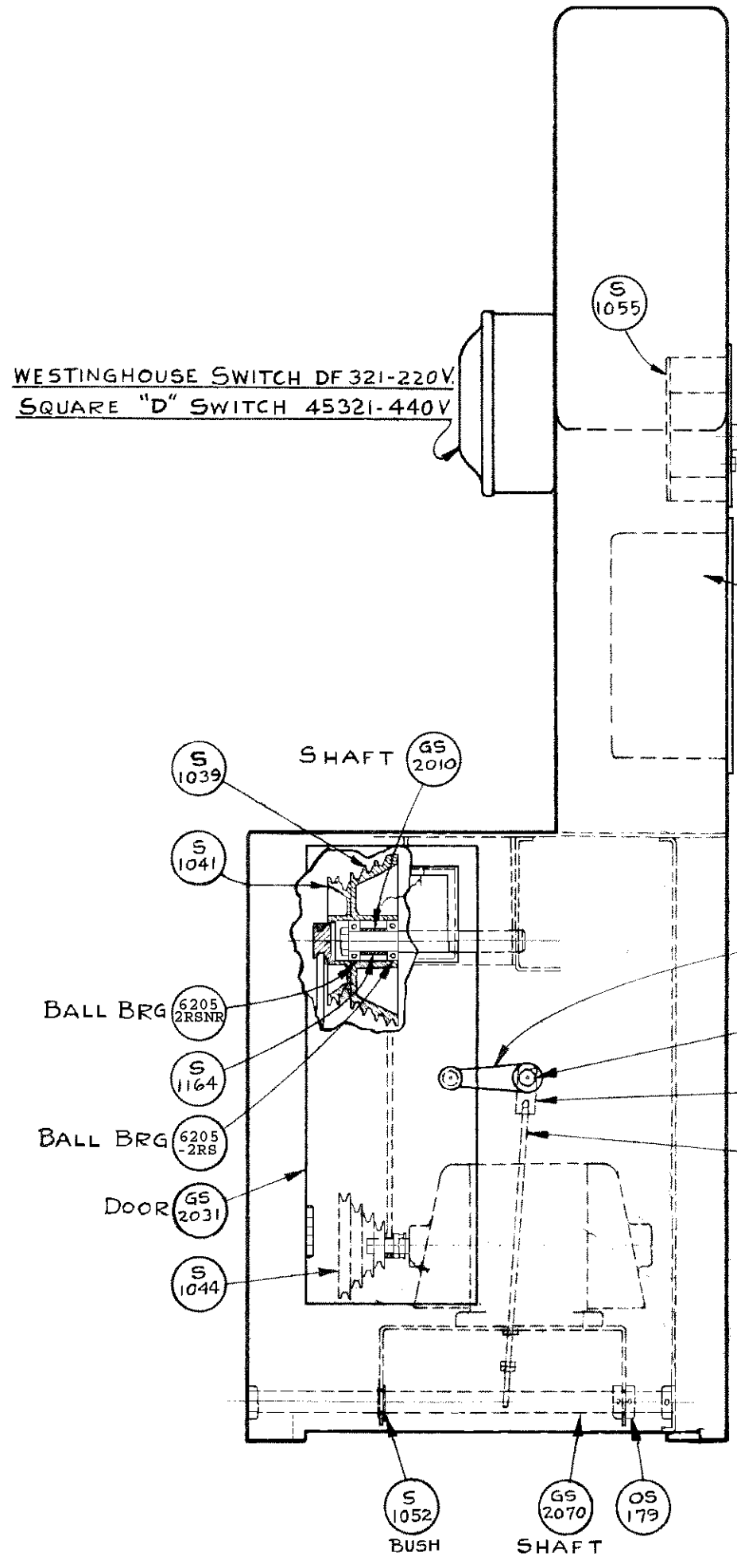
SAW GUIDE
FULL SIZE
.025" THICK SAW BLADE

* FURNISHED IN AMPCO ONLY

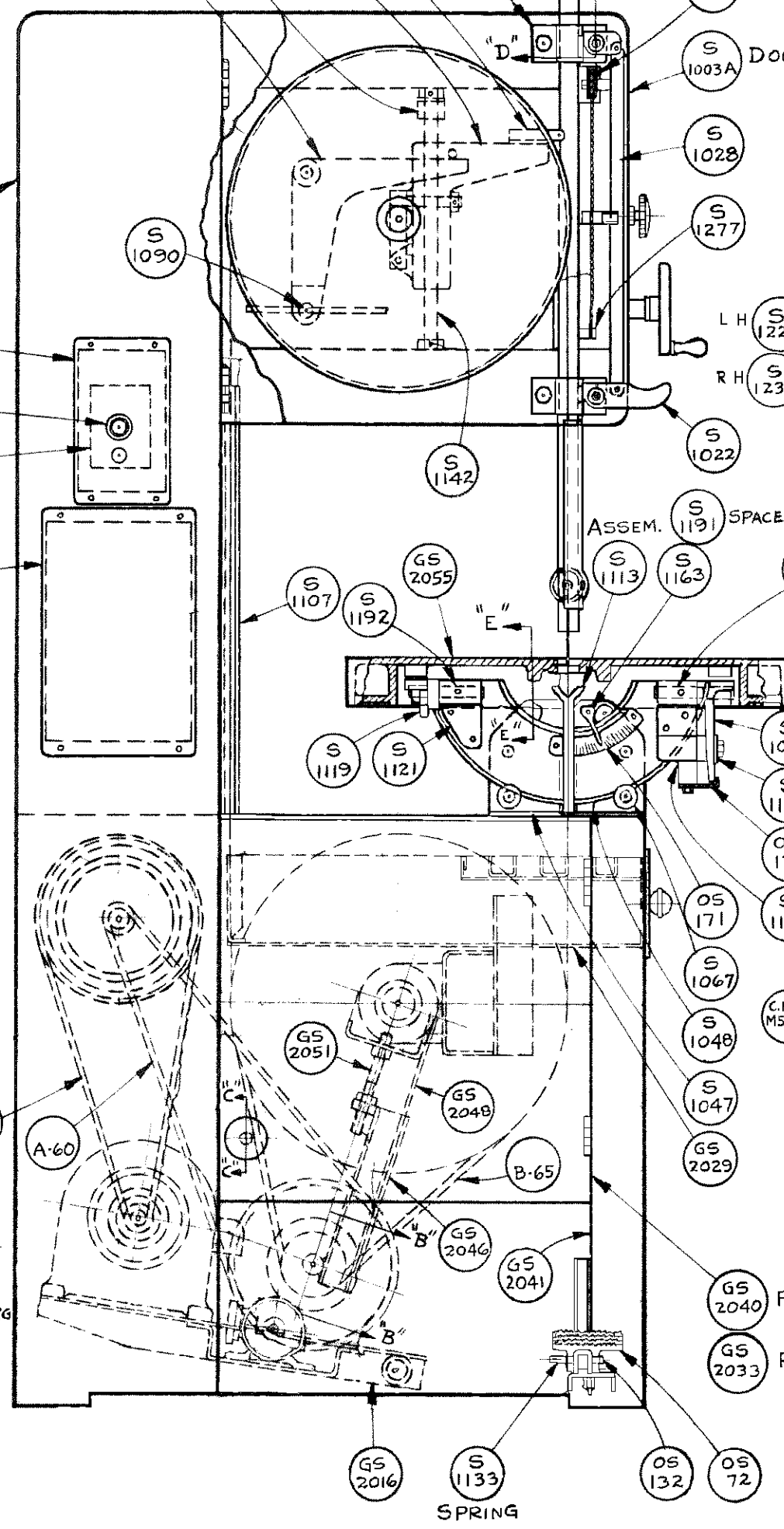


ENLARGED SECTION "A-A"

WESTINGHOUSE SWITCH DF 321-220V
SQUARE "D" SWITCH 45321-440V



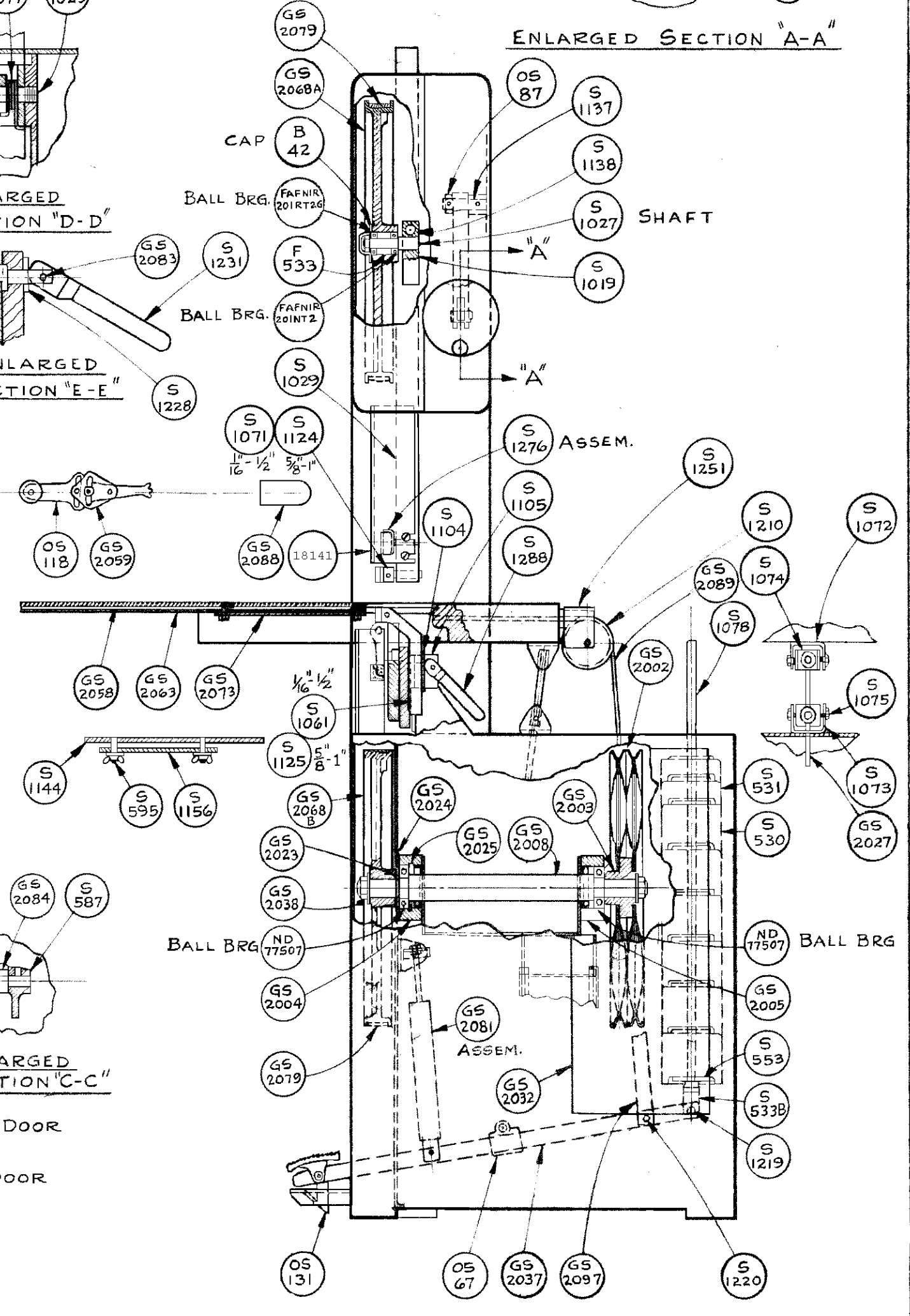
BUTT WELDER
ASSEMBLY



ENLARGED SECTION "D-D"

ENLARGED SECTION "E-E"

ENLARGED SECTION "C-C"



USED ON MACH. #3001 TO #5134 INCL.

GS-2080