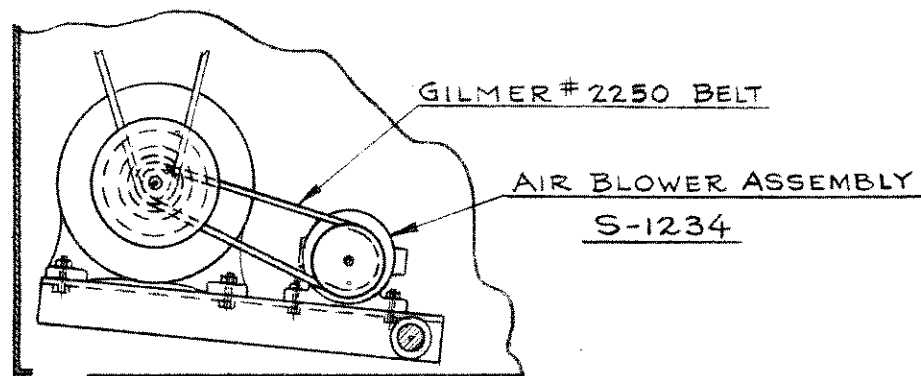


GROB INC.

Grafton, WI

PARTS LIST DRAWING
N5-18 -- 3-5-10 SPEED BAND SAW

C.J.S. S-1130

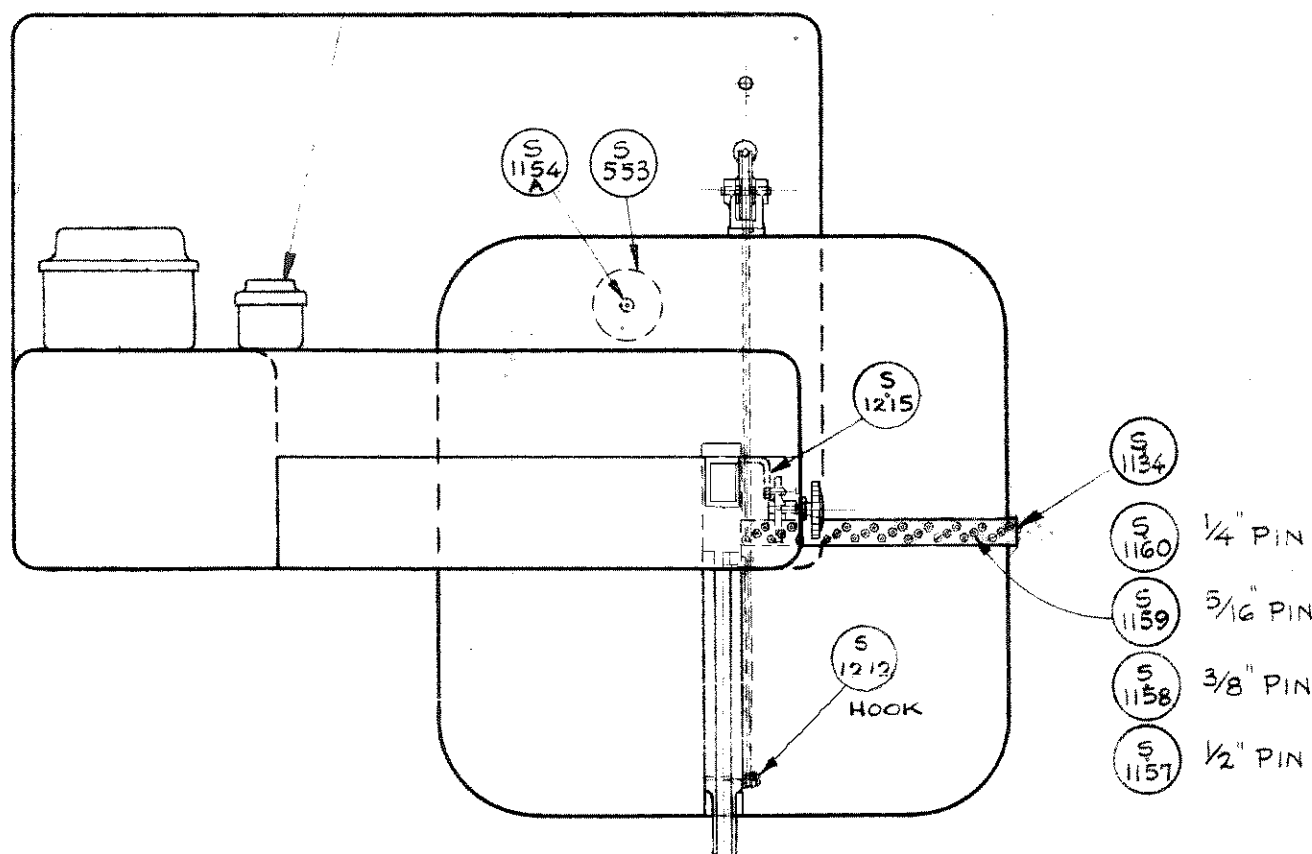


GILMER #2250 BELT

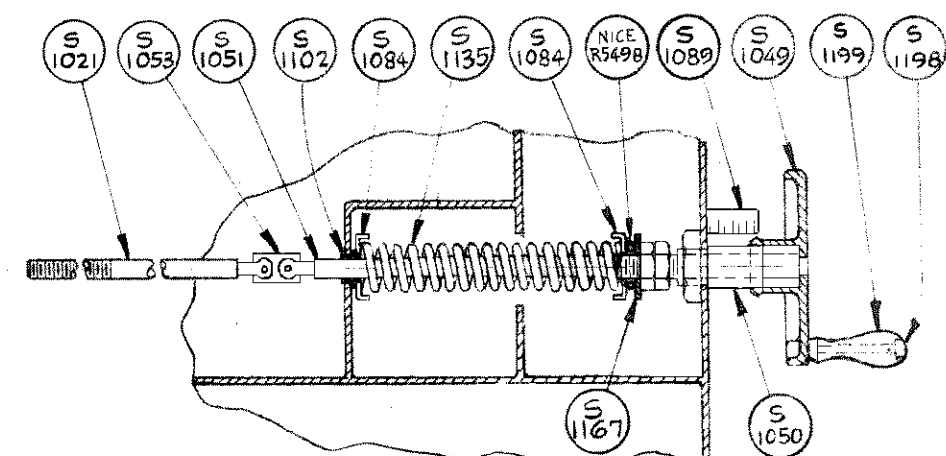
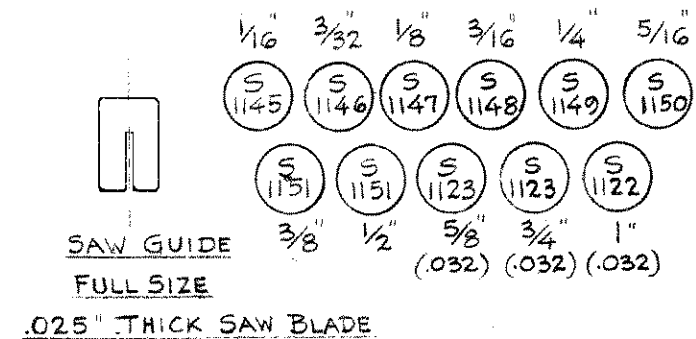
AIR BLOWER ASSEMBLY

S-1234

WESTINGHOUSE SWITCH # MF-211-1-110V.

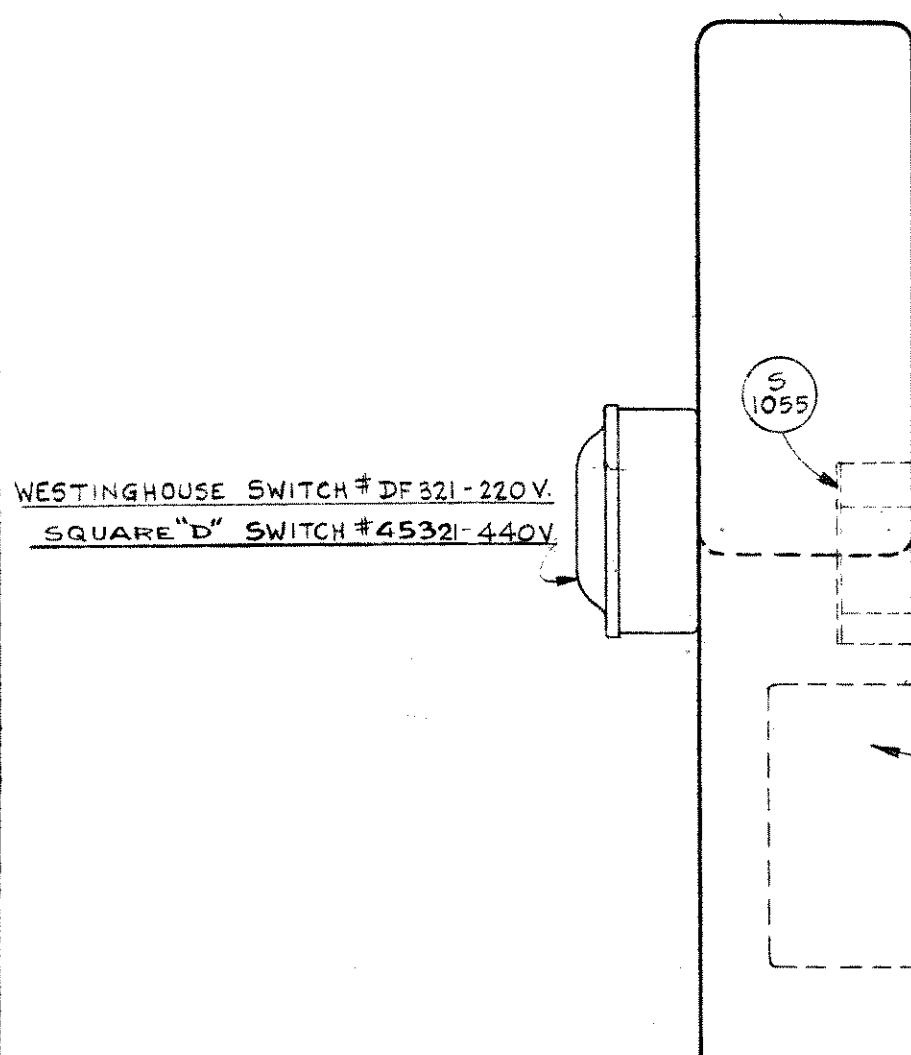


- S 1134
- S 1160 1/4" PIN
- S 1159 5/16" PIN
- S 1158 3/8" PIN
- S 1157 1/2" PIN



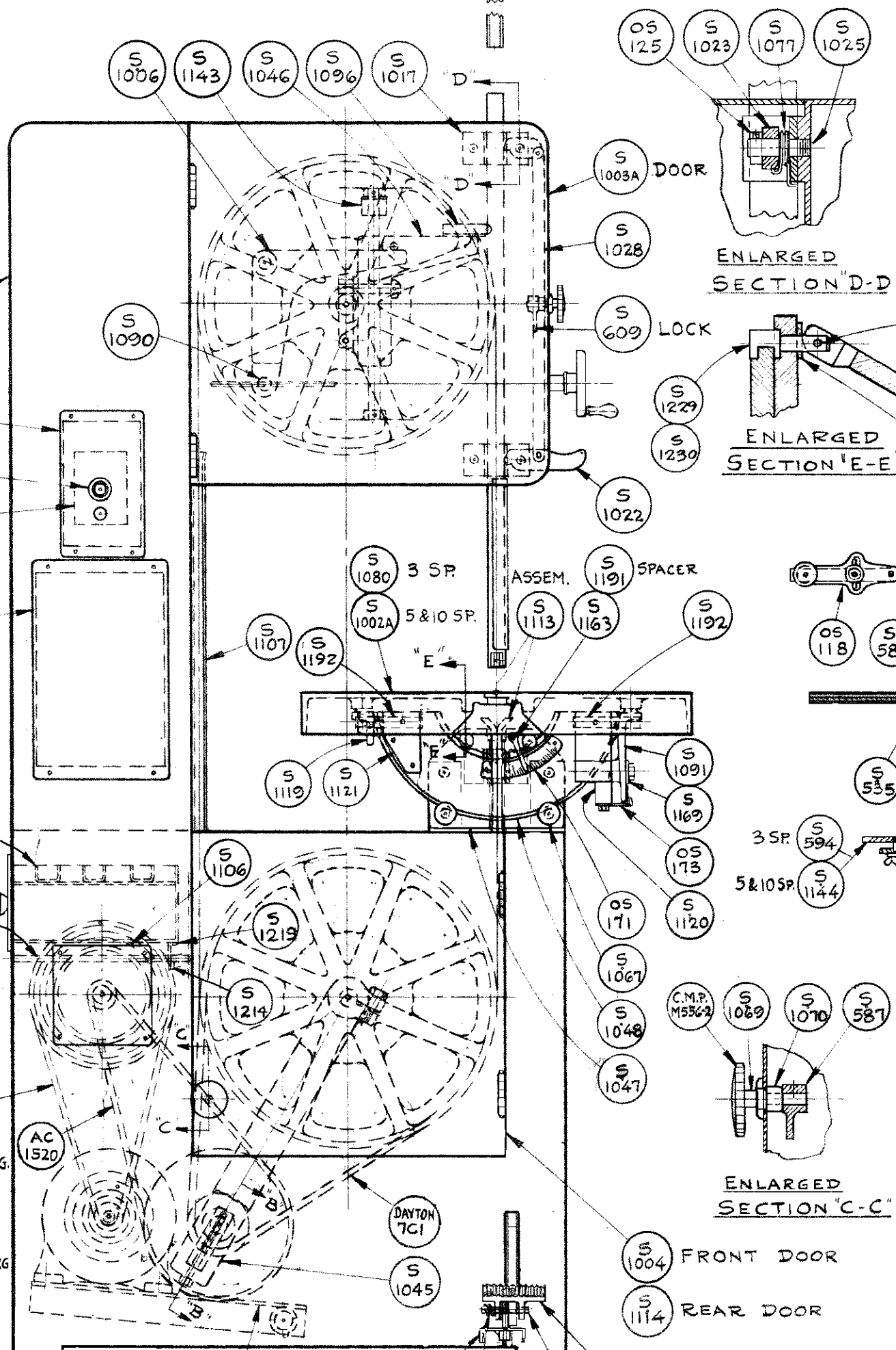
ENLARGED SECTION A-A

WESTINGHOUSE SWITCH # DF321-220V.
SQUARE "D" SWITCH #45321-440V.



BUTT WELDER ASSEMBLY

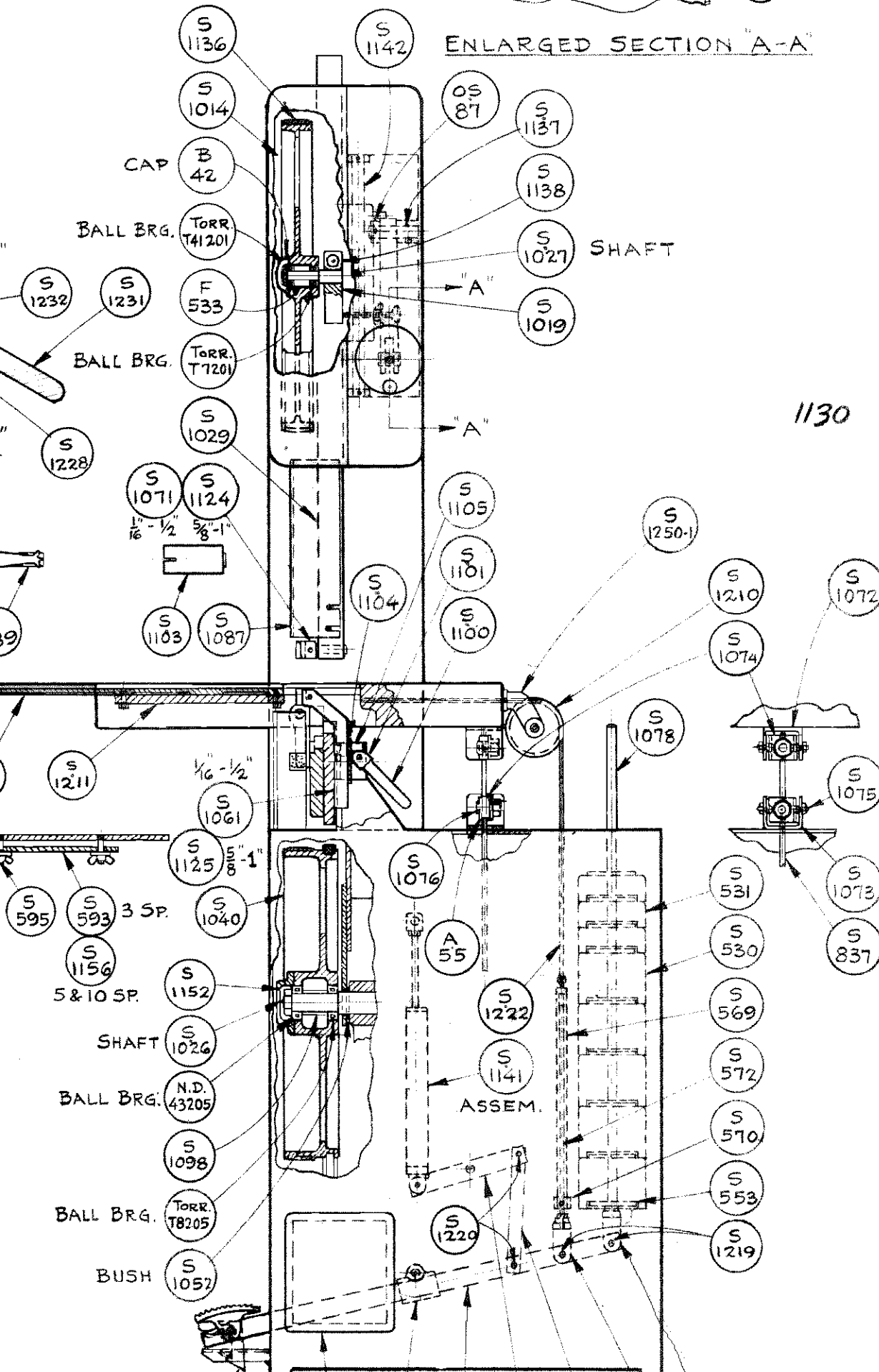
- S 1000c FRAME
- S 1056
- S 1083
- A.B. BUL. 609 SWITCH



ENLARGED SECTION D-D

ENLARGED SECTION E-E

ENLARGED SECTION C-C



- S 1088 3 SPEED
- S 1039 5 & 10 SPEED
- S 1065 3 SPEED
- S 1062 5 SPEED
- S 1041 10 SPEED
- N.D. 43205 BALL BRG.
- S 1164
- TORR. T8205 BALL BRG.
- S 1063 3 SPEED
- S 1044 5 & 10 SPEED
- S 1170 SECTION B-B
- S 1097
- S 1086 3 & 5 SP.
- S 1042 10 SP.
- S 1152 AC A42
- N.D. 43205 BALL BRG.
- S 1057 SHAFT
- TORR. T8205 BALL BRG.
- S 1045

1/4 HP - 1800 R.P.M. - 3 SPEED
3/4 HP - 1800 R.P.M. - 5 SPEED
1 HP - 1800 R.P.M. - 10 SPEED

- SHAFT S 1009
- S 1126
- SHAFT S 1127
- S 560
- S 1128
- PLATE S 1168
- LOCK S 1200
- OS 1179 BUSH.
- S 1052 DOOR
- S 1129
- S 1005

- S 1131 3 SP.
- S 1054 5 SP.
- S 1117 10 SP.
- S 1201 SPRING
- S 1133
- OS 132
- OS 72

1130